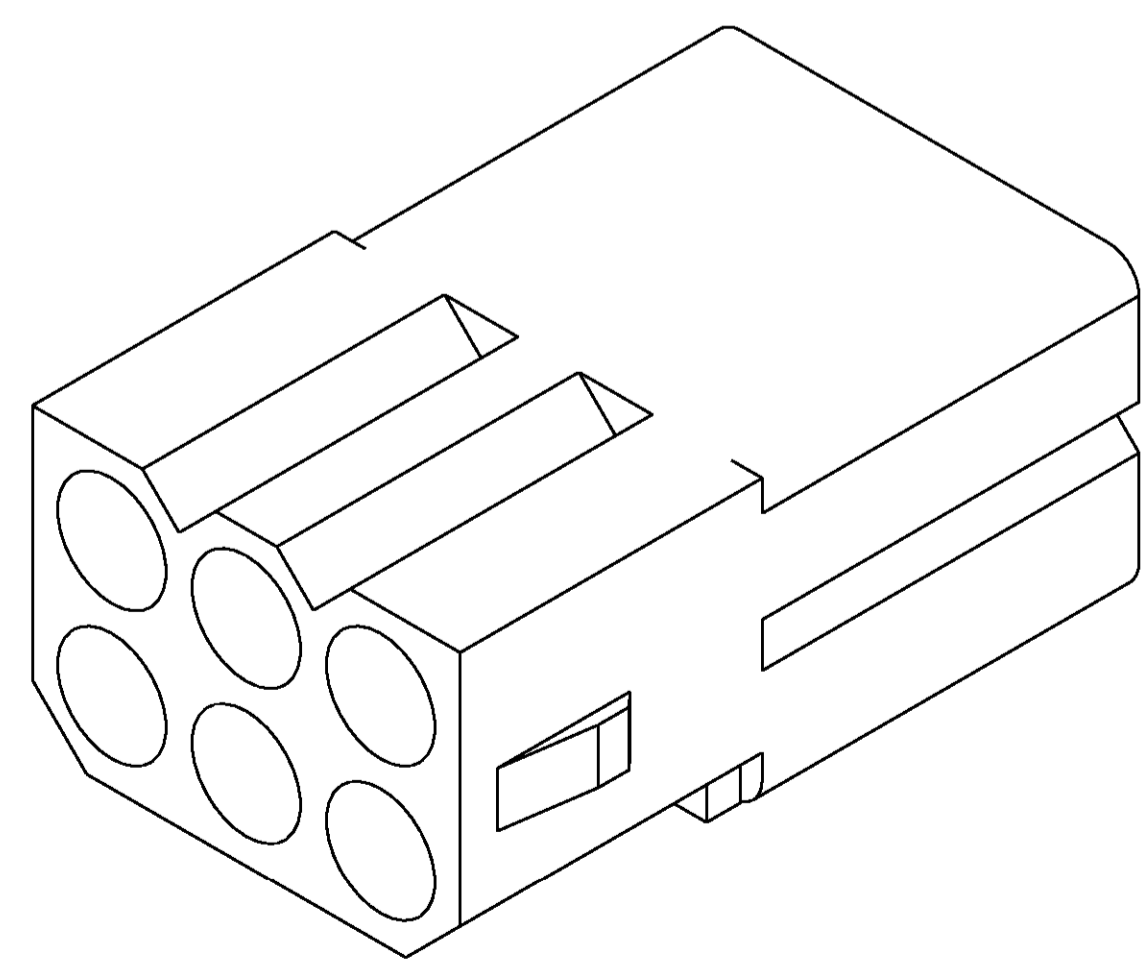
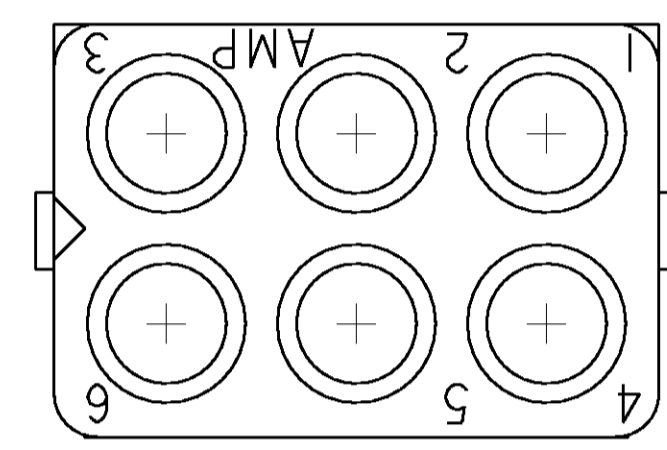
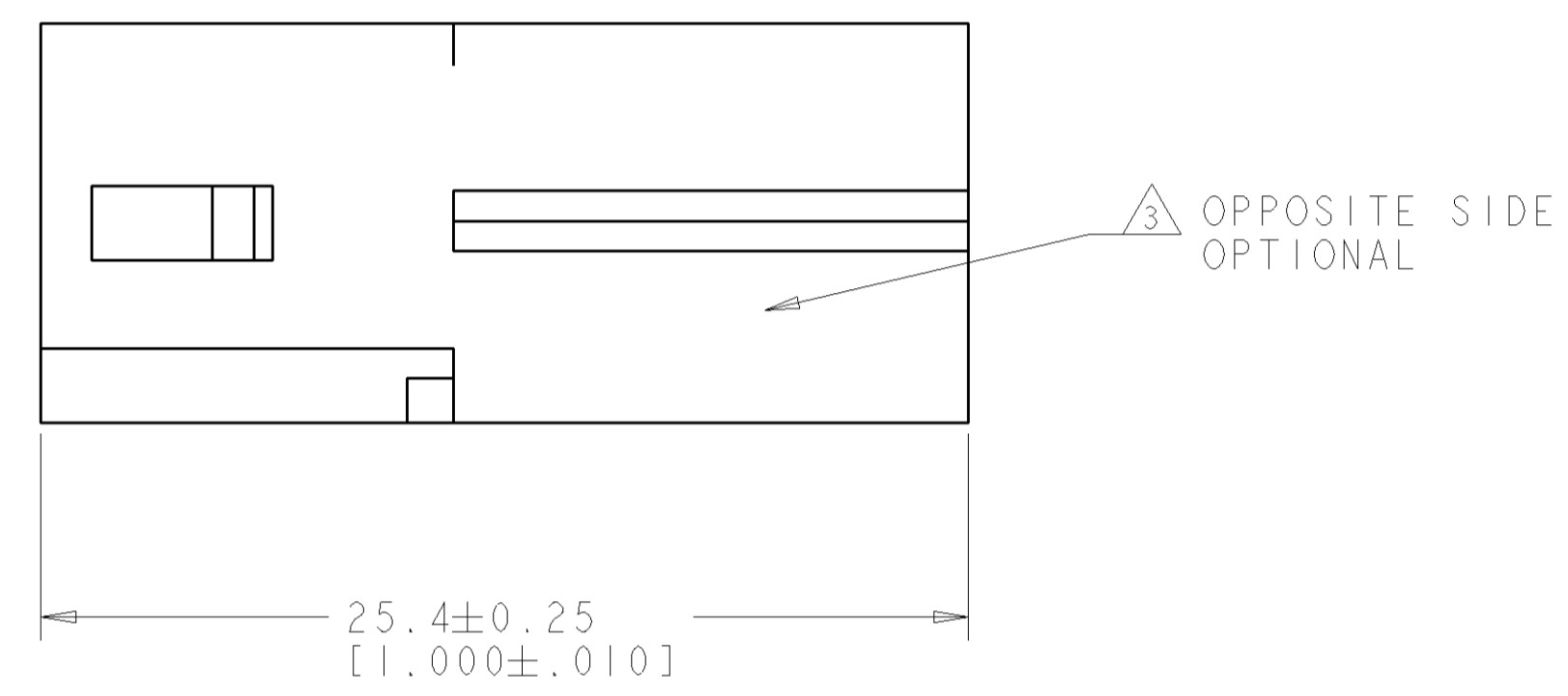
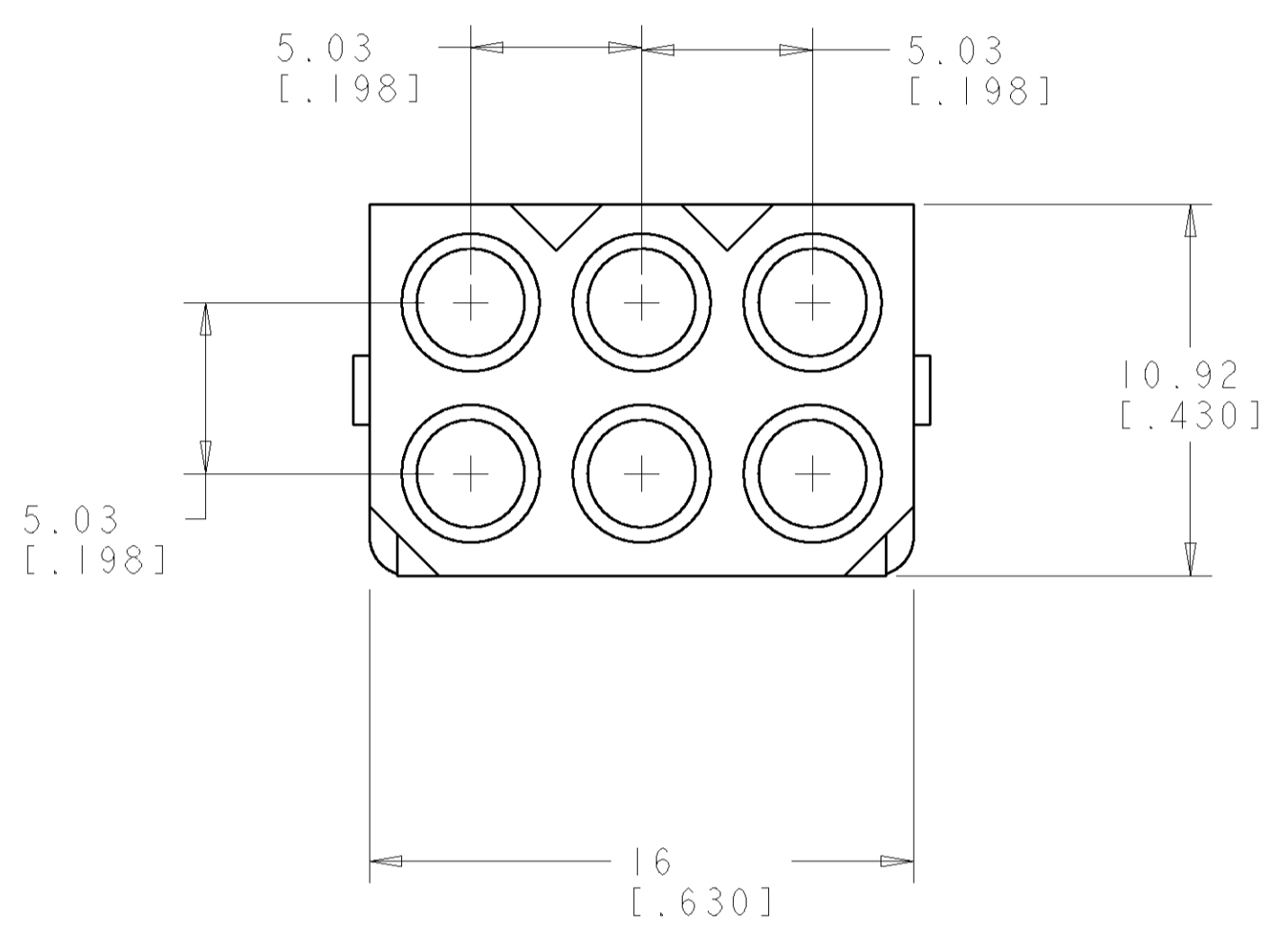


REVISONS		DATE	DWN	APVD
CM	00			
E	REVISED PER 0638-0359-01	18JAN2002	KW	DC

△ MATERIAL: NYLON UL94V-2 (NATURAL).  
 △ MARKING FOR UL LOGO AND CSA LOGO LOCATED APPROXIMATELY AS SHOWN.



3 DIMENSIONAL VIEW

770086-1  
 PART NUMBER

METRIC

<small>THIS DRAWING IS UNPUBLISHED. RELEASED FOR PUBLICATION BY TYCO ELECTRONICS CORPORATION. ALL RIGHTS RESERVED.</small>		DWN R. WHITAKER 18JAN2002 ENR D. COLEY 18JAN2002 APVD D. COLEY 18JAN2002	Tyco Electronics Harrisburg, PA 17105-3608
DIMENSIONS: mm [ INCHES ]	TOLERANCES UNLESS OTHERWISE SPECIFIED: 0 PLC ± 1 PLC ± 2 PLC ±0.13 [ .005 ] 3 PLC ± 4 PLC ± ANGLES ±	NAME RECEPTACLE, 6 CIRCUIT, COMMERCIAL PIN AND SOCKET	RESTRICTED TO
MATERIAL: △	FINISH: -	WEIGHT: - CUSTOMER DRAWING	SIZE: A1 CAGE CODE: 00779 DRAWING NO: C=770086 SCALE: 5:1 SHEET: 1 OF 1 REV: E